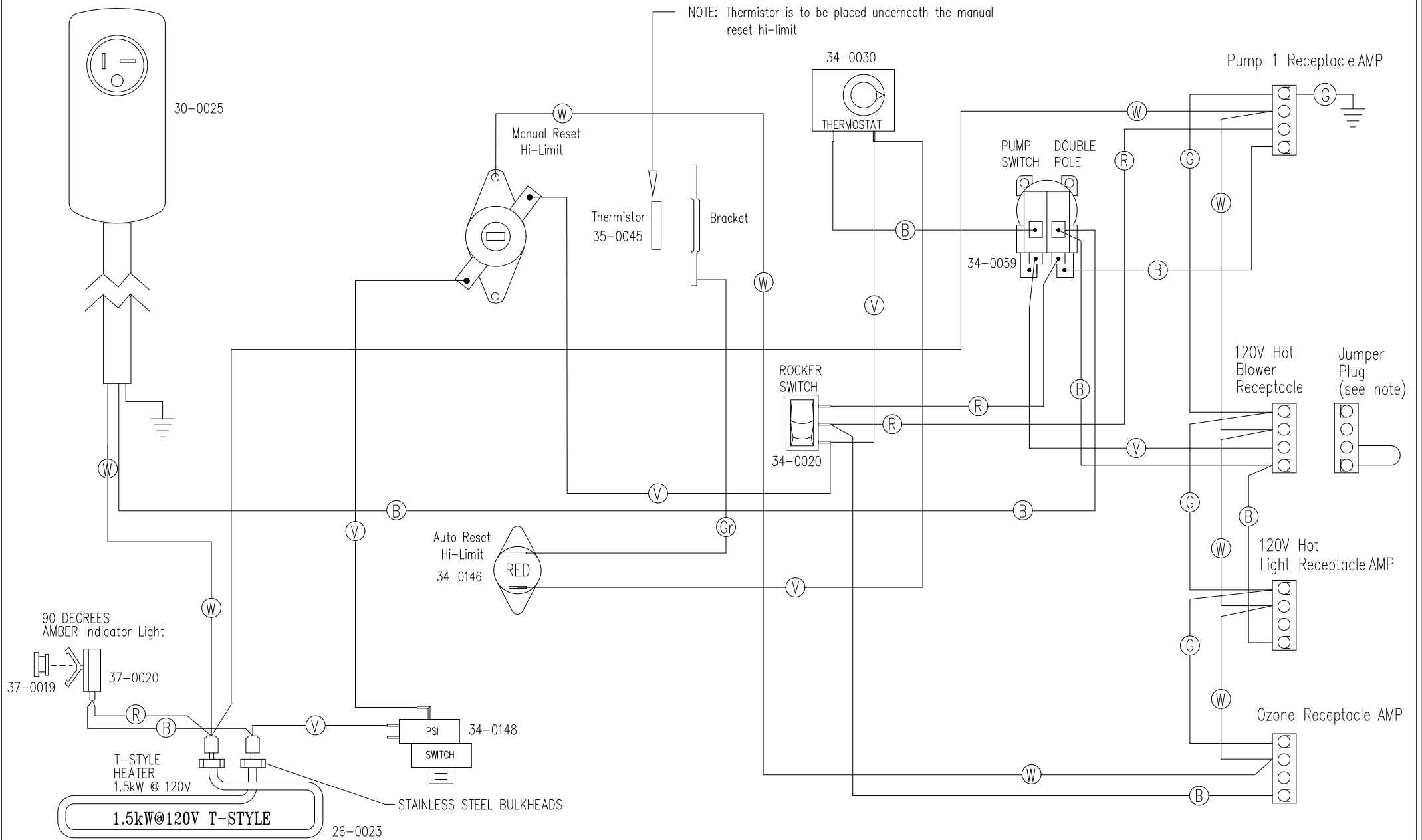


20AMP CORDED GFCI



HYDRO-QUIP  
CORONA, CA 909.273.7575

Manufacture Notes: USE STAINLESS STEEL BULKHEADS ONLY.

Dwg. No.  
BT-13AT-13

Drawn  
BRW

Rev  
5

Wire Color Code

Note: Jumper is for use when blower is NOT installed,  
Failure to do so will cause the equipment to malfunction.

Date  
7.18.01

Diagram  
No. 1222

B - Black  
Br - Brown  
R - Red  
O - Orange  
Y - Yellow

G - Green  
Bl - Blue  
V - Violet  
W - White  
Gr - Gray